



## Technical Guide

### Standard ECM Modular Multi-Position Air Handlers Models: JMET Series 208/230 V - Single-Phase



Assembled at a facility with  
an ISO 9001:2015-certified  
Quality Management  
System



Due to continuous product improvement, specifications are subject to change without notice.

Visit us on the web at

[www.simplygettingthejobdone.com](http://www.simplygettingthejobdone.com) and  
[www.york.com](http://www.york.com)

Additional rating information can be found at  
[www.ahridirectory.org](http://www.ahridirectory.org)

#### Warranty summary

Standard 5-year limited parts warranty.

**Extended 10-year limited parts warranty** when product is registered online within 90 days of purchase for replacement or closing for new home construction.

## Description

This unique modular system has the flexibility to handle any application. The versatile JMET blower can be used for upflow, downflow, or horizontal left or right applications. It can be combined with cased coils to function as a cooling only unit or with a heat pump including electric heat for 208-230-1 and 208-230-3 phase applications. The JMET blower and 8HK electric heater kits can be used as stand-alone electric furnaces.

## Features

**Next generation high-efficiency blower** - delivers increased airflow and reduced blower watts by 10%, using a standard ECM motor

**Two-stage operation** - provides flexibility in application with single and two-stage outdoor equipment

**Next generation insulation and gasket design** - reduces thermal transmission paths and reduces sweating

**Electric heat kit** - 8HK field-installed series available for easy installation and service application

**Designed for easy installation and service** - a casing size of 20.5 in., smooth sides, and rigid construction provide ease of attic access and tight applications. Front facing components, slide out blower, laser cut knock outs and integrated duct flanges shorten install time

**Cabinet air leakage** - less than 2% at 1 in. W.C. external static pressure when tested in accordance with ASHRAE Standard 193

**Long lasting quality** - structural components made of post-powder painted steel or galvanized steel to prevent corrosion

**List of sections**

Description .....	1
Features .....	1
Nomenclature .....	2
Dimensions and duct connections .....	3
Cooling capacity .....	5
Physical and electrical data .....	6
Accessories .....	10
Filter rack dimensions .....	11
Typical applications .....	11
Limitations .....	11
Typical thermostat connection .....	13
Airflow data .....	14

**Nomenclature**

<b>Brand</b>	<b>J</b>	<b>J</b> = JCI air handler	
<b>Type</b>	<b>M</b>	<b>M</b> = modular blower	
<b>Motor type</b>	<b>E</b>	<b>V</b> = multi variable speed ECM	
		<b>E</b> = multi standard ECM	
		<b>P</b> = multi PSC	
<b>Stage</b>	<b>T</b>	<b>S</b> = single stage capable	
		<b>T</b> = two stage capable	
		<b>V</b> = variable stage capable	
<b>Options</b>	<b>-</b>	<b>C</b> = communications ready	
		<b>-</b> (no designator) = standard (no options)	
<b>Nominal airflow</b>	<b>12</b>	<b>08</b> = 800 CFM	
		<b>12</b> = 1,200 CFM	
		<b>16</b> = 1,600 CFM	
		<b>18</b> = 1,800 CFM	
<b>Cabinet width</b>	<b>B</b>	<b>A</b> = 14.5 in.	<b>C</b> = 21 in.
		<b>B</b> = 17.5 in.	<b>D</b> = 24.5 in.
<b>Options</b>	<b>N</b>	<b>N</b> = no options	
<b>Voltage (voltage-phase-hertz)</b>	<b>2</b>	<b>2</b> = 208/230-1-60	
<b>Generation (major revision)</b>	<b>1</b>	<b>1</b> = first generation	
		<b>2</b> = second generation	
<b>Style letter (minor revision) not used for ordering</b>	<b>A</b>	<b>A</b> = style A	
		<b>B</b> = style B	

## Dimensions and duct connections

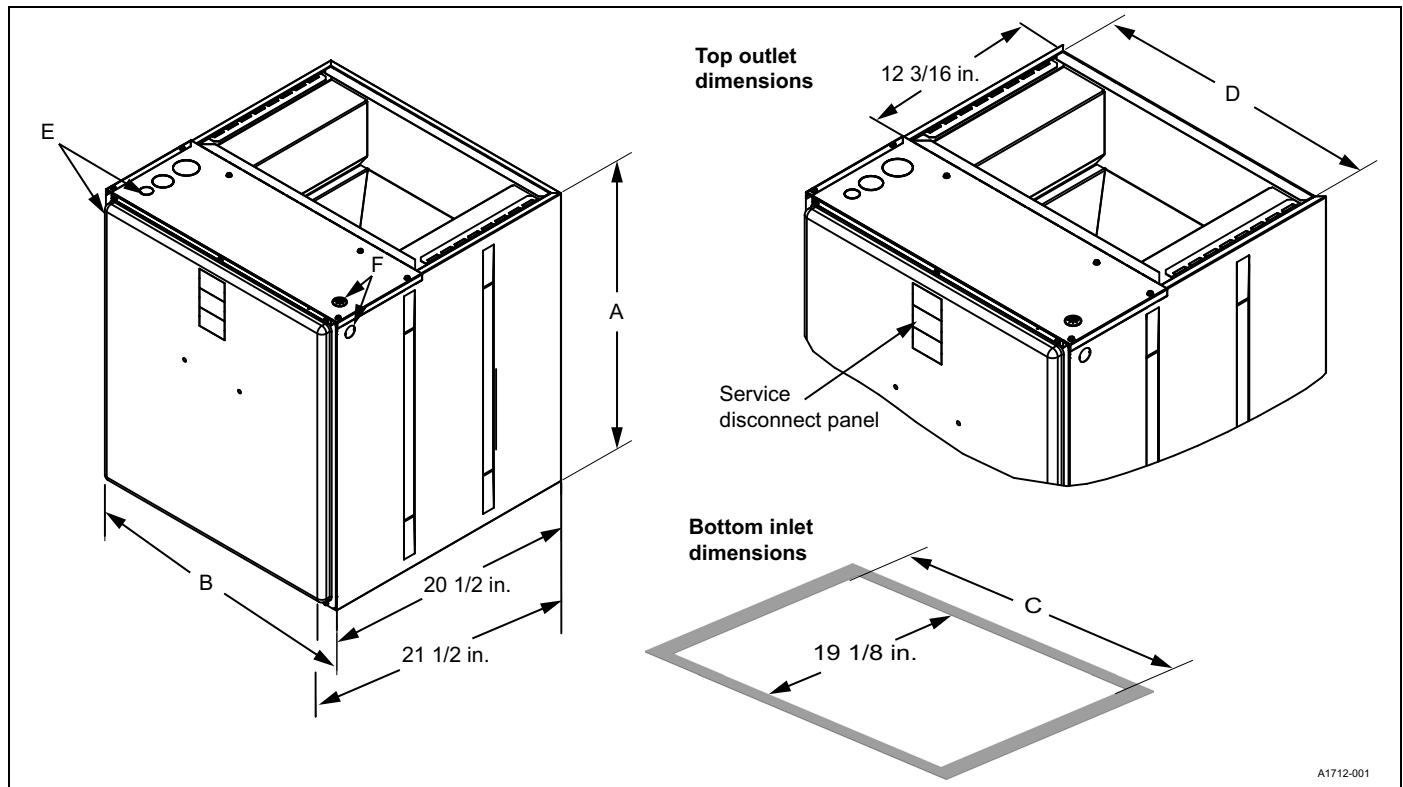


Figure 1: Dimensions and duct connection dimensions

Table 1: Dimensions<sup>1</sup>

Models	Dimensions <sup>1</sup>				Wiring knockouts <sup>2</sup>	
	A	B	C	D	E	F
	Height (in.)	Width (in.)	Opening widths (in.)		Power (in.)	Control (in.)
JMET08BS2N1	22 3/4	17 1/2	16 1/2	16 1/2	7/8 (1/2) 1 3/8 (1) 1 23/32 (1 1/4)	7/8 (1/2)
JMET12BS2N1	22 3/4	17 1/2	16 1/2	16 1/2		
JMET12CS2N1	22 3/4	21	20	20		
JMET16CS2N1	22 3/4	21	20	20		
JMET18DS2N1	22 3/4	24 1/2	23 1/2	23 1/2		

1. All dimensions are in inches.  
2. Actual size (conduit size).

Table 2: Cooling capacity XAF<sup>1</sup>

Models	Rated CFM <sup>2</sup>	Entering air dry/wet bulb (°F)	MBH at evaporation temperature and corresponding R-410A pressure (°F/psig)			
			35/107.9	40/118.9	45/130.7	50/143.3
XAFA18A	600	85/72	43.2	38.4	32.9	26.9
		80/67	34.8	29.9	24.4	18.9
		75/62	27.2	22.4	17.3	11.7
		70/57	20.6	15.8	10.7	8.1
XAFB18A	600	85/72	43.2	38.4	32.9	26.9
		80/67	34.8	29.9	24.4	18.9
		75/62	27.2	22.4	17.3	11.7
		70/57	20.6	15.8	10.7	8.1
XAFA24B	800	85/72	54.8	49.2	43	35.8
		80/67	44.7	39	32.3	25.2
		75/62	35.4	29.5	23	15.5
		70/57	27	20.9	14.2	10.9

Table 2: Cooling capacity XAF<sup>1</sup> (continued)

Models	Rated CFM <sup>2</sup>	Entering air dry/wet bulb (°F)	MBH at evaporation temperature and corresponding R-410A pressure (°F/psig)			
			35/107.9	40/118.9	45/130.7	50/143.3
XAFB24B	800	85/72	54.8	49.2	43	35.8
		80/67	44.7	39	32.3	25.2
		75/62	35.4	29.5	23	15.5
		70/57	27	20.9	14.2	10.9
XAFB30C	1000	85/72	62.3	56.9	49.8	42.3
		80/67	51.9	45.7	38.4	30.5
		75/62	41.7	34.6	27.9	18.4
		70/57	32.1	25.3	18	13.9
XAFC30C	1000	85/72	62.3	56.9	49.8	42.3
		80/67	51.9	45.7	38.4	30.5
		75/62	41.7	34.6	27.9	18.4
		70/57	32.1	25.3	18	13.9
XAFA30D	1000	85/72	72	64.5	55.8	46.1
		80/67	58.6	50.8	42	32.4
		75/62	45.9	38.5	29.8	19.8
		70/57	35	27.6	19.1	14.5
XAFB36D	1200	85/72	80.2	72.1	62.8	52
		80/67	65.5	57.2	47.4	36.5
		75/62	52	43.5	33.4	22.2
		70/57	39.9	30.9	22.1	16.8
XAFC36D	1200	85/72	80.2	72.1	62.8	52
		80/67	65.5	57.2	47.4	36.5
		75/62	52	43.5	33.4	22.2
		70/57	39.9	30.9	22.1	16.8
XAFB36E	1200	85/72	73.6	67.5	60.5	52
		80/67	61.6	55	47.2	38.2
		75/62	50.3	43.1	34.9	23.8
		70/57	39.5	31.7	23.4	18.2
XAFC42E	1400	85/72	78.3	72.1	64.7	56
		80/67	65.7	59	50.9	41.4
		75/62	53.8	46.4	37.8	26.4
		70/57	42.5	34	26	20.3
XAFA42E	1400	85/72	78.3	72.1	64.7	56
		80/67	65.7	59	50.9	41.4
		75/62	53.8	46.4	37.8	26.4
		70/57	42.5	34	26	20.3
XAFC48F	1600	85/72	95.6	87.2	77.7	66.3
		80/67	79.5	70.6	60.5	48.4
		75/62	64.5	54.9	44.2	29.6
		70/57	50.2	40.1	29.4	22.9
XAFA48F	1600	85/72	95.6	87.2	77.7	66.3
		80/67	79.5	70.6	60.5	48.4
		75/62	64.5	54.9	44.2	29.6
		70/57	50.2	40.1	29.4	22.9
XAFC60G	1600	85/72	102.4	91.9	79.8	66.3
		80/67	83.7	72.6	60.3	47.3
		75/62	66.4	54.9	43.1	29
		70/57	50.5	39.3	27.5	20.7
XAFA60G	1800	85/72	109.1	98.2	85.3	71
		80/67	89	77.6	64.7	50.6
		75/62	71.1	58.9	46.2	30.4
		70/57	54.1	42.2	29.8	22.5
XAFC60H	1800	85/72	107	97.1	85.4	72.2
		80/67	88.2	77.8	65	51.9
		75/62	70.9	59.4	47.1	31.8
		70/57	54.5	43.1	30.6	23.4

**Table 2:** Cooling capacity XAF<sup>1</sup> (continued)

Models	Rated CFM <sup>2</sup>	Entering air dry/wet bulb (°F)	MBH at evaporation temperature and corresponding R-410A pressure (°F/psig)			
			35/107.9	40/118.9	45/130.7	50/143.3
XAFD60H	1800	85/72	107	97.1	85.4	72.2
		80/67	88.2	77.8	65	51.9
		75/62	70.9	59.4	47.1	31.8
		70/57	54.5	43.1	30.6	23.4
XAFD60J	1800	85/72	112.1	101.6	89.2	75.4
		80/67	92.5	88.1	68.5	54.6
		75/62	74.2	62.3	49.7	33.6
		70/57	57.1	45.7	32.5	24.8

1. Actual capacity varies with the outdoor AC or HP that is used with the system.
2. Airflow is calculated for each system tonnage.

## Cooling capacity

**Table 3:** Cooling capacity XAH<sup>1</sup>

Models	Rated CFM <sup>2</sup>	Entering air dry/wet bulb (°F)	MBH at evaporation temperature and corresponding R-410A pressure (°F/psig)			
			35/107.9	40/118.9	45/130.7	50/143.3
XAHA18A	600	85/72	43.2	38.4	32.9	26.9
		80/67	34.8	29.9	24.4	18.9
		75/62	27.2	2.4	17.3	11.7
		70/57	20.6	15.8	10.7	8.1
XAHA24B	800	85/72	54.8	49.2	43	35.8
		80/67	44.7	39	32.3	25.2
		75/62	35.4	29.5	23	15.5
		70/57	27	20.9	14.2	10.9
XAHB24B	800	85/72	54.8	49.2	43	35.8
		80/67	44.7	39	32.3	25.2
		75/62	35.4	29.5	23	15.5
		70/57	27	20.9	14.2	10.9
XAHB30C	1000	85/72	62.3	56.9	49.8	42.3
		80/67	51.9	45.7	38.4	30.5
		75/62	41.7	34.6	27.9	18.4
		70/57	32.1	25.3	18	13.9
XAHC30C	1000	85/72	62.3	56.9	49.8	42.3
		80/67	51.9	45.7	38.4	30.5
		75/62	41.7	34.6	27.9	18.4
		70/57	32.1	25.3	18	13.9
XAHB36D	1200	85/72	80.2	72.1	62.8	52
		80/67	65.5	57.2	47.4	36.5
		75/62	52	43.5	33.4	22.2
		70/57	39.9	30.9	22.1	16.8
XAHC36D	1200	85/72	80.2	72.1	62.8	52
		80/67	65.5	57.2	47.4	36.5
		75/62	52	43.5	33.4	22.2
		70/57	39.9	30.9	22.1	16.8
XAHC42E	1400	85/72	78.3	72.1	64.7	56
		80/67	65.7	59	50.9	41.4
		75/62	53.8	46.4	37.8	26.4
		70/57	42.5	34	26	20.3
XAHD42E	1400	85/72	78.3	72.1	64.7	56
		80/67	65.7	59	50.9	41.4
		75/62	53.8	46.4	37.8	26.4
		70/57	42.5	34	26	20.3
XAHC48F	1600	85/72	95.6	87.2	77.7	66.3
		80/67	79.5	70.6	60.5	48.4
		75/62	64.5	54.9	44.2	29.6
		70/57	50.2	40.1	29.4	22.9

**Table 3:** Cooling capacity XAH<sup>1</sup> (continued)

Models	Rated CFM <sup>2</sup>	Entering air dry/wet bulb (°F)	MBH at evaporation temperature and corresponding R-410A pressure (°F/psig)			
			35/107.9	40/118.9	45/130.7	50/143.3
XAHD48F	1600	85/72	95.6	87.2	77.7	66.3
		80/67	79.5	70.6	60.5	48.4
		75/62	64.5	54.9	44.2	29.6
		70/57	50.2	40.1	29.4	22.9
XAHC60G	1800	85/72	102.4	91.9	79.8	66.3
		80/67	83.7	72.6	60.3	47.3
		75/62	66.4	54.9	43.1	29
		70/57	50.5	39.3	27.5	20.7
XAHD60G	1800	85/72	109.1	98.2	85.3	71
		80/67	89	77.6	64.7	50.6
		75/62	71.1	58.9	46.2	30.4
		70/57	54.1	42.2	29.8	22.5
XAHC60H	1800	85/72	107	97.1	85.4	72.2
		80/67	88.2	77.8	65	51.9
		75/62	70.9	59.4	47.1	31.8
		70/57	54.5	43.1	30.6	23.4
XAHD60H	1800	85/72	107	97.1	85.4	72.2
		80/67	88.2	77.8	65	51.9
		75/62	70.9	59.4	47.1	31.8
		70/57	54.5	43.1	30.6	23.4
XAHD60J	1800	85/72	112.1	101.6	89.2	75.4
		80/67	92.5	88.1	68.5	54.6
		75/62	74.2	62.3	49.7	33.6
		70/57	57.1	45.7	32.5	24.8

1. Actual capacity varies with the outdoor AC or HP that is used with the system.
2. Airflow is calculated for each system tonnage.

## Physical and electrical data

**Table 4:** Physical and electrical data - cooling only

Models	JMET08B	JMET12B	JMET12C	JMET16C	JMET18D	
Blower - diameter x width (in.)	11 x 8	11 x 8	11 x 10	11 x 10	11 x 11	
Motor	HP	1/3 HP	1/2 HP	1/2 HP	3/4 HP	
	Nominal RPM	1050	1050	1050	1050	
Voltage (V)	208/230	208/230	208/230	208/230	208/230	
Full load amps at 230 V (A)	2.6	3.8	3.8	5.4	5.4	
Filter <sup>1</sup>	Type	Disposable or cleanable				
	Size	16 x 20 x 1	16 x 20 x 1	20 x 20 x 1	20 x 20 x 1	23 x 20 x 1
	Bottom rack kit	1BR01117	1BR01117	1BR01121	1BR01121	1BR01124
Shipping/operating weight (lb)	55/54	57/56	61/60	63/62	67/66	

1. Field-supplied.

**Table 5:** kW and MBH conversions - for total power input requirement

For a power distribution voltage that is different than the provided nominal voltage, multiply the kW and MBH data from the table by the conversion factor in the following table.

Distribution power (V)	Nominal voltage (V)	Conversion factor
208	240	0.75
220	240	0.84
230	240	0.92

**Table 6:** Application factors - rated CFM versus actual CFM

% of rated airflow (CFM)	80	90	100	110	120
Capacity factor	0.96	0.98	1.00	1.02	1.03

**Table 7:** Electrical data - cooling only

Models	Motor FLA <sup>1</sup>	Minimum circuit ampacity (A)	MOP <sup>2</sup>
JMET08B	2.6	3.3	15
JMET12B/JMET12C	3.8	4.8	15
JMET16C/JMET18D	5.4	6.8	15

1. FLA = Full Load Amps

2. MOP = Maximum Overcurrent Protection device; must be HACR type circuit breaker or time delay fuse. Refer to the latest edition of the *National Electric Code* or, in Canada, the *Canadian Electrical Code* and local codes to determine correct wire sizing.

**Table 8:** Electrical heat with heat pump - minimum fan speed - XAF

Heater kit models <sup>1,2</sup>	Nominal kW at 240 V	Air handler models				
		JMET08B	JMET12B	JMET12C	JMET16C	JMET18D
8HK(0,1)6500206	2.4	Medium (3)	High (5)	High (5)	Medium (3)	Medium (3)
8HK(0,1)6500506	4.8	Medium (3)	High (5)	High (5)	Medium (3)	Medium (3)
8HK(0,1)6500806	7.7	Medium (3)	High (5)	High (5)	Medium (3)	Medium (3)
8HK(0,1)6501006 8HK06501025	9.6	Medium (3)	High (5)	High (5)	Medium (3)	Medium (3)
8HK(1,2)6501506 8HK06501525	14.4	—	High (5)	High (5)	Medium (3)	Medium (3)
8HK(1,2)6502006 8HK16502025	19.2	—	High (5)	High (5)*	Medium high (4)	Medium (3)
8HK(1,2)6502506 8HK16502525	24	—	—	—	—	Medium (3)

1. (0,1) - 0 = no service disconnect or 1 = with service disconnect

2. (1,2) - 1 = with service disconnect, no breaker jumper bar or 2 = with service disconnect and breaker jumper bar

\* For downflow applications, -2006 max ESP is 0.4 in., 3-phase 8HK not approved for application. -2025 cannot be used with heat pump applications.

**Table 9:** Electrical heat with heat pump - minimum fan speed - XAH

Heater kit models <sup>1,2</sup>	Nominal kW at 240 V	Air handler models				
		JMET08B	JMET12B	JMET12C	JMET16C	JMET18D
8HK(0,1)6500206	2.4	High (5)	High (5)	High (5)	Medium high (4)	Medium (3)
8HK(0,1)6500506	4.8	High (5)	High (5)	High (5)	Medium high (4)	Medium (3)
8HK(0,1)6500806	7.7	High (5)	High (5)	High (5)	Medium high (4)	Medium (3)
8HK(0,1)6501006 8HK06501025	9.6	High (5)*	High (5)	High (5)	Medium high (4)	Medium (3)
8HK(1,2)6501506 8HK06501525	14.4	—	High (5)	High (5)	Medium high (4)	Medium (3)
8HK(1,2)6502006 8HK16502025	19.2	—	High (5)	High (5)	Medium high (4)	Medium (3)
8HK(1,2)6502506 8HK16502525	24	—	—	—	—	Medium (3)

1. (0,1) - 0 = no service disconnect or 1 = with service disconnect.

2. (1,2) - 1 = with service disconnect, no breaker jumper bar or 2 = with service disconnect and breaker jumper bar.

\* For 1-phase 8HK not approved for horizontal right with heat pump application.

**Table 10:** Default blower speeds for FER compliance - electrical heat only

Models	High sales volume heat kit <sup>1,2</sup>	Nominal kW at 240 V	Default blower speeds			
			w1/[w1+w2]	Heat	Maximum airflow	Continuous fan
JMET08B	8HK(0,1)6500806	7.7	w1	High (5)	High (5)	Low (1)
JMET12B	8HK(0,1)6501006	9.6	w1	Medium high (4)	High (5)	Low (1)
JMET12C	8HK(0,1)6500806	7.7	w1	Medium (3)	High (5)	Low (1)
JMET16C <sup>3</sup>	8HK(1,2)6501506	14.4	w1+w2	Medium high (4)	High (5)	Low (1)
JMET18D <sup>3</sup>	8HK(1,2)6501506	14.4	w1+w2	Medium (3)	High (5)	Low (1)

1. (0,1) - 0 = no service disconnect or 1 = with service disconnect.

2. (1,2) - 1 = with service disconnect, no breaker jumper bar or 2 = with service disconnect and breaker jumper bar.

3. For JMET16C and JMET18D models with 15 kW (8HK\*65015\*\*) heat kit, tie the AHU W1 and W2 thermostat inputs together for FER compliance

**Table 11:** Electric heat performance data: 208/230-1-60 and 208/230-3-60

Heater models <sup>1,2</sup>		Nominal kW at 240 V	Total heat <sup>3</sup>				kW staging			
			kW		MBH		W1 only		W1 and W2	
			208 V	230 V	208 V	230 V	208 V	230 V	208 V	230 V
Single-phase	8HK(0,1)6500206	2.4	1.8	2.2	6.2	7.5	1.8	2.2	1.8	2.2
	8HK(0,1)6500506	4.8	3.6	4.4	12.3	15	3.6	4.4	3.6	4.4
	8HK(0,1)6500806	7.7	5.8	7.1	19.7	24.1	5.8	7.1	5.8	7.1
	8HK(0,1)6501006	9.6	7.2	8.8	24.6	30.1	7.2	8.8	7.2	8.8
	8HK(1,2)6501506	14.4	10.8	13.2	36.9	45.1	3.6	4.4	10.8	13.2
	8HK(1,2)6502006	19.2	14.4	17.6	49.2	60.2	7.2	8.8	14.4	17.6
	8HK(1,2)6502506	24	18	22	61.5	75.2	7.2	8.8	18	22
Three-phase	8HK06501025	9.6	7.2	8.8	24.6	30.1	7.2	8.8	7.2	8.8
	8HK06501525	14.4	10.8	13.2	36.9	45.1	10.8	13.2	10.8	13.2
	8HK16502025	19.2	14.4	17.6	49.2	60.2	7.2	8.8	14.4	17.6
	8HK16502525	24	18	22	61.5	75.2	9	11	18	22

1. (0,1) - 0 = no service disconnect or 1 = with service disconnect.

2. (1,2) - 1 = with service disconnect, no breaker jumper bar or 2 = with service disconnect and breaker jumper bar.

3. For different power distributions, see Table 6.

**Table 12:** Electrical data for single source power supply: 208/230-1-60

Air handler models	Heater models <sup>1,2</sup>	Heater amps (A) at 240 V	Field wiring			
			Minimum circuit ampacity (A)		MOP <sup>3</sup> (A)	
			208 V	230 V	208 V	230 V
JMET08B	8HK(0,1)6500206	10	14.1	15.2	15	20
	8HK(0,1)6500506	20	24.9	27.2	25	30
	8HK(0,1)6500806	32	38.1	41.8	40	45
	8HK(0,1)6501006	40	46.5	51.1	50	60
JMET12B	8HK(0,1)6500206	10	15.6	16.7	20	20
	8HK(0,1)6500506	20	26.4	28.7	30	30
	8HK(0,1)6500806	32	39.6	43.3	40	45
	8HK(0,1)6501006	40	48	52.6	50	60
	8HK(1,2)6501506	60	69.7	76.5	70	80
	8HK(1,2)6502006	80	91.3	100.4	100	110
JMET12C	8HK(0,1)6500206	10	15.6	16.7	20	20
	8HK(0,1)6500506	20	26.4	28.7	30	30
	8HK(0,1)6500806	32	39.6	43.3	40	45
	8HK(0,1)6501006	40	48	52.6	50	60
	8HK(1,2)6501506	60	69.7	76.5	70	80
	8HK(1,2)6502006	80	91.3	100.4	100	110
JMET16C	8HK(0,1)6500206	10	17.6	18.7	20	20
	8HK(0,1)6500506	20	28.4	30.7	30	35
	8HK(0,1)6500806	32	41.6	45.3	45	50
	8HK(0,1)6501006	40	50	54.6	50	60
	8HK(1,2)6501506	60	71.7	78.5	80	80
	8HK(1,2)6502006	80	93.3	102.4	100	110
JMET18D	8HK(0,1)6500206	10	17.6	18.7	20	20
	8HK(0,1)6500506	20	28.4	30.7	30	35
	8HK(0,1)6500806	32	41.6	45.3	45	50
	8HK(0,1)6501006	40	50	54.6	50	60
	8HK(1,2)6501506	60	71.7	78.5	80	80
	8HK(1,2)6502006	80	93.3	102.4	100	110
	8HK(1,2)6502506	100	114.9	126.3	125	150

1. (0,1) - 0 = no service disconnect or 1 = with service disconnect.

2. (1,2) - 1 = with service disconnect, no breaker jumper bar or 2 = with service disconnect and breaker jumper bar.

3. MOP = Maximum Overcurrent Protection device; must be HACR type circuit breaker or time delay fuse. Refer to the latest edition of the National Electric Code or in Canada the Canadian electrical Code and local codes to determine correct wire sizing.



**Table 13:** Electrical data for multi-source power supply: 208/230-1-60

Air handlers models	Heater models <sup>1</sup>	Heater amps (A) at 240 V	Minimum circuit ampacity (A)						MOP <sup>2</sup> (A)					
			208 V			230 V			208 V			230 V		
			Circuit						Circuit					
			First	Second	Third	First	Second	Third	First	Second	Third	First	Second	Third
JMET12B	8HK16501506	60	26.2	43.5	—	28.4	48.1	—	30	45	—	30	50	—
	8HK16502006	80	48	43.3	—	52.6	47.8	—	50	45	—	60	50	—
JMET12C	8HK16501506	60	26.2	43.5	—	28.4	48.1	—	30	45	—	30	50	—
	8HK16502006	80	48	43.3	—	52.6	47.8	—	50	45	—	60	50	—
JMET16C	8HK16501506	60	28.2	43.5	—	30.4	48.1	—	30	45	—	35	50	—
	8HK16502006	80	50	43.3	—	54.6	47.8	—	50	45	—	60	50	—
JMET18D	8HK16501506	60	28.2	43.5	—	30.4	48.1	—	30	45	—	35	50	—
	8HK16502006	80	50	43.3	—	54.6	47.8	—	50	45	—	60	50	—
	8HK16502506	100	50	43.3	21.6	54.6	47.8	23.9	50	45	25	60	50	25

1. 8HK1 = with service disconnect, no breaker jumper bar.

2. MOP = Maximum Overcurrent Protection device; must be HACR type circuit breaker or time delay fuse. The first circuit includes blower motor amps. Refer to the latest edition of the *National Electric Code* or in Canada the *Canadian Electrical Code* and local codes to determine correct wire sizing.

**Table 14:** Electrical data for single source power supply: 208/230-3-60

Air handler models	Heater models <sup>1</sup>	Heater amps (A) at 240 V	Field wiring			
			Minimum circuit ampacity (A)		MOP <sup>2</sup> (A)	
			208 V	230 V	208 V	230 V
JMET08B	8HK06501025	23.1	28.2	30.9	30	35
JMET12B	8HK06501025	23.1	29.7	32.4	30	35
	8HK06501525	34.6	42.2	46.2	45	50
JMET12C	8HK16502025 <sup>2</sup>	46.2	54.7	60	60	60
	8HK06501025	23.1	29.7	32.4	30	35
JMET16C	8HK06501525	34.6	42.2	46.2	45	50
	8HK06501025	23.1	31.7	34.4	35	35
	8HK06501525	34.6	44.2	48.2	45	50
JMET18D	8HK16502025 <sup>2</sup>	46.2	56.7	62	60	70
	8HK06501025	23.1	31.7	34.4	35	35
	8HK06501525	34.6	44.2	48.2	45	50
	8HK16502525 <sup>2</sup>	57.7	69.2	75.8	70	80

1. The 20 kW and 25 kW heater models (8HK06502025 and 8HK06502525) come with circuit breakers standard. Single source power MCA and MOP requirements are given here only for reference if used with field installed single point power modification.

2. MOP = Maximum overcurrent protection device; must be HACR type circuit breaker or time delay fuse. The first circuit includes blower motor amps. Refer to the latest edition of the *National Electric Code* or, in Canada, the *Canadian Electrical Code* and local codes to determine correct wire sizing.

**Table 15:** Electrical data for multi-source power supply: 208/230-3-60

Air handlers models	Heater models <sup>1</sup>	Heater amps (A) at 240V	Minimum circuit ampacity (A)				MOP <sup>2</sup> (A)			
			208V		230V		208V		230V	
			Circuit				Circuit			
			First <sup>2</sup>	Second	First <sup>2</sup>	Second	First <sup>2</sup>	Second	First <sup>2</sup>	Second
JMET12B	8HK16502025	46.2	29.7	25	32.4	27.6	30	25	35	30
JMET16C	8HK16502025	46.2	31.7	25	34.4	27.6	35	25	35	30
JMET18D	8HK16502025	46.2	31.7	25	34.4	27.6	35	25	35	30
	8HK16502525	57.7	38	31.2	41.3	34.5	40	35	45	35

1. The 20 kW and 25 kW heater models (8HK06502025 and 8HK06502525) come with circuit breakers standard.

2. MOP = Maximum overcurrent protection device; must be HACR type circuit breaker or time delay fuse. The first circuit includes blower motor amps. Refer to the latest edition of the *National Electric Code* or, in Canada, the *Canadian Electrical Code* and local codes to determine correct wire sizing.

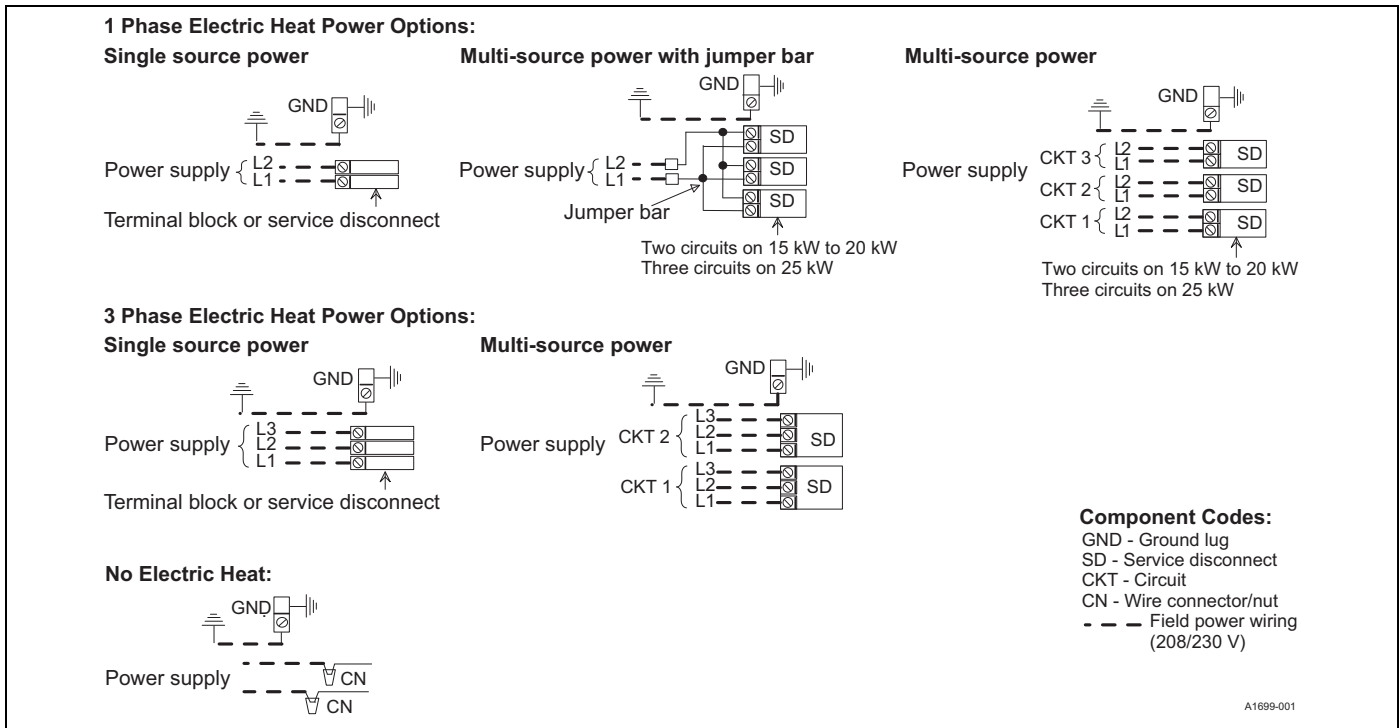


Figure 2: Power wiring - line connections

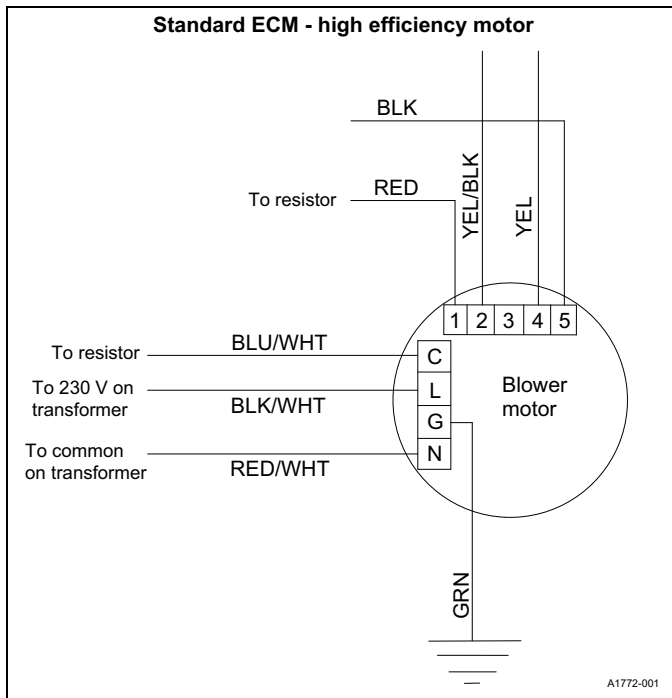


Figure 3: Blower speed connections

**Accessories**

Refer to the *Price Manual* for specific model numbers where not shown.

**Electric heaters** - 8HK models shown under electrical data include sequential operation and temperature dual limit switches for safe, efficient operation. Service disconnects are provided where shown.

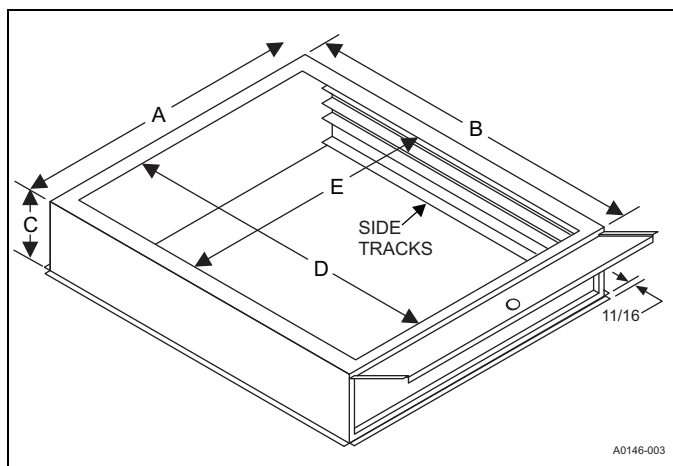
Single source power accessories (single-phase)	
S1-02435670000	For heat kits with two service disconnects
S1-02435671000	For heat kits with three service disconnects
Single source power accessory (three-phase)	
S1-32436041000	Contains a terminal block and wiring to connect service disconnects together

**Combustible floor base accessory** - If an electric heat accessory rated for greater than zero clearance to combustible surfaces is installed in these air handlers in the downflow operating positions on a combustible floor, one of the following combustible floor base accessory models is required: S1-1FB1917, S1-1FB1921, S1-1FB1924.

**Breaker moisture seal accessory** - A clear circuit breaker moisture barrier seals the breakers from humidity and dust. The flexibility of the clear cover allows circuit breakers to be turned ON or OFF without removing the cover. The cover firmly attaches to the access panel around the circuit breakers with the use of double backed adhesive tape. To ensure that moisture or dust does not contaminate circuit breakers, an S1-02435672000, circuit breaker, and cover seal may be ordered.

**Thermostat** - Compatible thermostat controls are available through accessory sourcing. For optimum performance, these indoor units are fully compatible with our YORK touch screen thermostat with proprietary (patent-pending) hexagon interface. For more information, see the thermostat section of the *Product Equipment Catalog*.

**Filter rack dimensions**

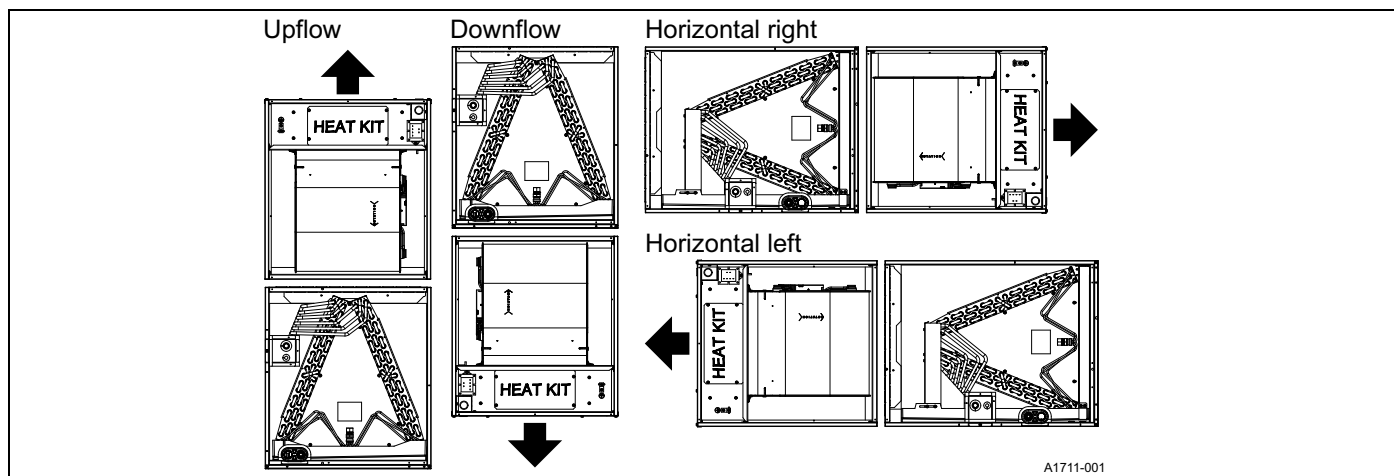


**Figure 4:** Filter rack dimensions

**Table 16:** Filter rack dimensions

Galvanized models	A	B	C	D	E	Filter size
1BR01117	17.50	21.56	4.00	18.63	14.25	16 x 20 x 1 or 2
1BR01121	21.00	21.56	4.00	18.63	17.75	20 x 20 x 1 or 2
1BR01124	24.50	21.56	4.00	18.63	21.25	20 x 24 x 1 or 2

**Typical applications**



**Figure 5:** Typical applications

**Limitations**

Wire and install these units in accordance with all national and local safety codes.

**Voltage limits are as follows:**

Air handler voltage	Voltage code	Normal operating voltage range <sup>1</sup>
208/230-1-60	06	187-253

1. Rated in accordance with ARI Standard 110, utilization range A.

Airflow must be within the minimum and maximum limits approved for electric heat, evaporator coils and outdoor units.

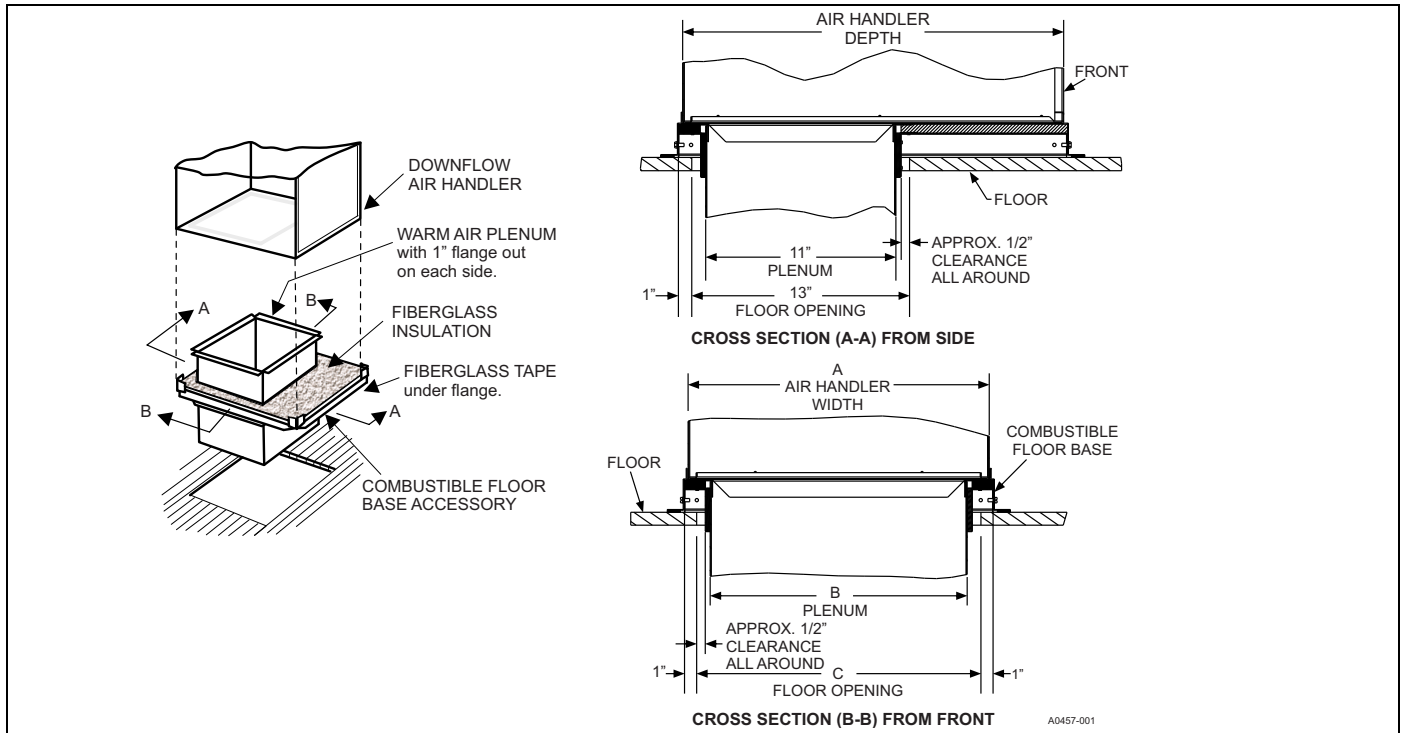
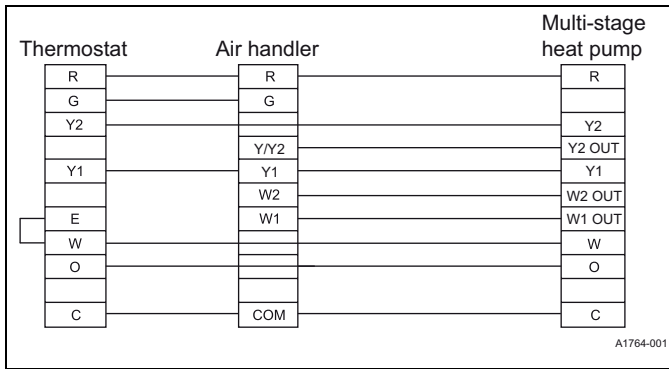


Figure 6: Combustible floor base accessory

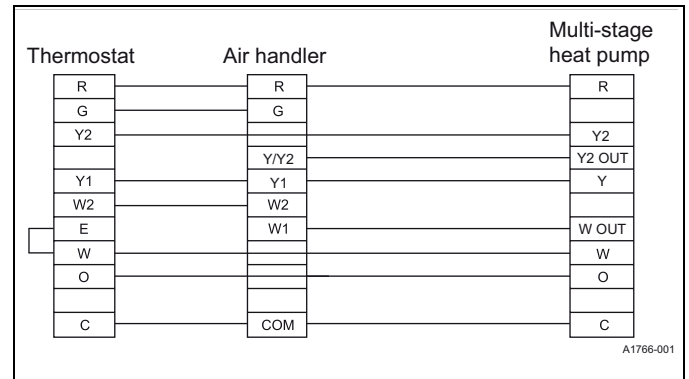
Table 17: Combustible floor base accessory dimensions

Floor base models	Used with	Dimensions (in.)		
		A	B	C
1FB1917	JMET08B, JMET12B	17.5	14.0	16.0
1FB1921	JMET12C, JMET16C	21.0	17.5	19.5
1FB1924	JMET18D	24.5	21.0	23.0

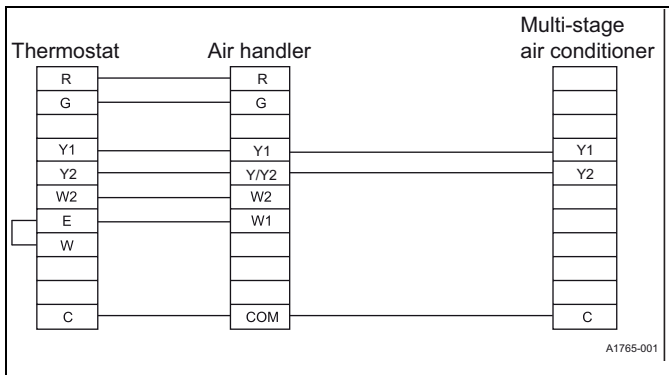
**Typical thermostat connection**



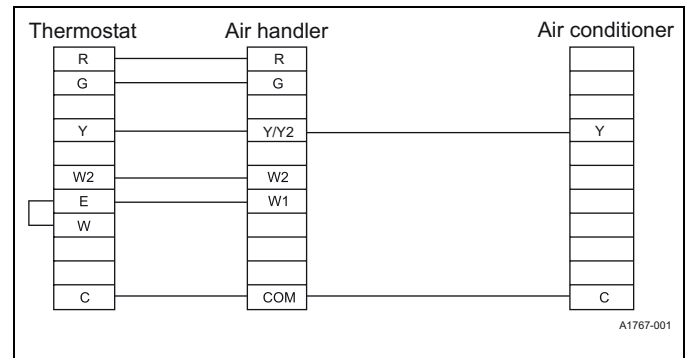
**Figure 7:** Standard ECM AH and premium multi-stage HP - conventional wiring



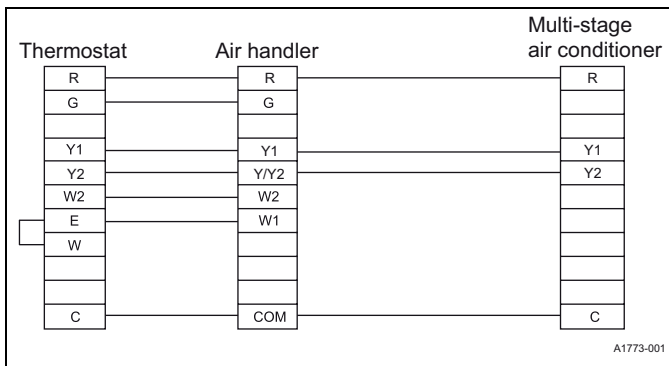
**Figure 10:** Standard ECM AH and standard multi-stage HP - conventional wiring



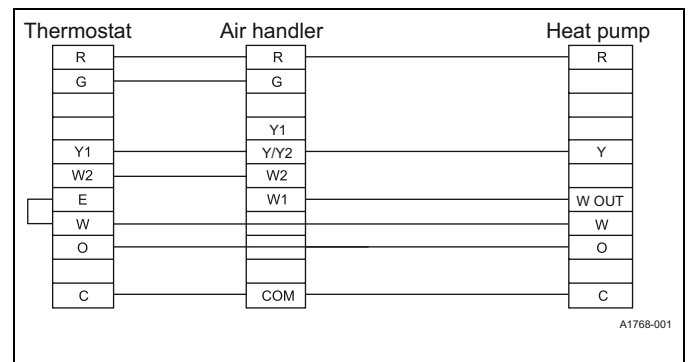
**Figure 8:** Standard ECM AH and standard multi-stage AC - conventional wiring



**Figure 11:** Standard ECM AH and single-stage AC - conventional wiring



**Figure 9:** Standard ECM AH and standard multi-stage AC - conventional wiring



**Figure 12:** Standard ECM AH and single-stage HP - conventional wiring

## Airflow data

**Table 18:** Airflow data (CFM per Watts)

Models	Blower motor speed	External static pressure (in. W.C.)										
		Unit	0.1	0.2	0.3	0.4	0.5	0.6	0.7	0.8	0.9	1.0
JMET08B	5 High	CFM	1100	1050	1000	925	875	825	775	725	675	600
		W	113	122	131	140	149	158	167	176	185	194
	4 Medium high	CFM	1025	975	900	850	800	750	675	625	575	500
		W	95	104	112	120	129	137	145	154	162	171
	3 Medium	CFM	925	875	800	750	700	625	575	500	450	400
		W	78	85	93	100	108	115	123	130	138	145
	2 Medium-low	CFM	850	775	725	650	575	525	450	—	—	—
		W	63	70	77	83	90	96	103	—	—	—
	1 Low	CFM	575	500	425	—	—	—	—	—	—	—
		W	32	38	44	—	—	—	—	—	—	—
JMET12B	5 High	CFM	1475	1425	1400	1375	1325	1300	1250	1225	1200	1150
		W	259	266	275	285	296	308	322	336	351	367
	4 Medium-high	CFM	1300	1250	1225	1175	1125	1075	1025	1000	950	900
		W	177	184	192	201	212	223	235	249	263	279
	3 Medium	CFM	1150	1075	1025	975	925	875	800	750	700	650
		W	118	129	139	150	160	171	181	192	202	213
	2 Medium low	CFM	1025	975	900	850	800	725	675	625	550	500
		W	94	103	113	122	132	141	151	160	170	179
	1 Low	CFM	750	675	600	525	450	400	—	—	—	—
		W	51	57	64	70	77	84	—	—	—	—
JMET12C	5 High	CFM	1675	1650	1625	1575	1550	1525	1475	1425	1375	1325
		W	294	303	314	326	339	353	369	386	404	424
	4 Medium-high	CFM	1500	1475	1450	1400	1375	1325	1250	1200	1125	1050
		W	216	225	235	247	259	273	288	304	322	341
	3 Medium	CFM	1350	1325	1275	1225	1175	1100	1025	975	900	800
		W	153	165	178	190	203	216	228	241	253	266
	2 Medium-low	CFM	1075	1000	925	850	775	700	625	550	475	425
		W	87	96	105	114	123	131	140	149	158	167
	1 Low	CFM	950	875	800	725	650	575	500	425	—	—
		W	67	78	88	97	105	113	120	127	—	—
JMET16C	5 High	CFM	2075	2050	2000	1975	1950	1925	1900	1875	1850	1825
		W	501	516	531	546	560	575	590	605	620	634
	4 Medium high	CFM	1875	1850	1825	1775	1750	1725	1675	1650	1625	1600
		W	374	388	402	415	429	443	456	470	484	497
	3 Medium	CFM	1500	1475	1425	1400	1350	1300	1250	1175	1100	1025
		W	197	210	223	236	249	262	276	289	302	315
	2 Medium-low	CFM	1325	1250	1200	1125	1075	1000	950	875	800	750
		W	132	144	155	166	178	189	200	212	223	234
	1 Low	CFM	1050	975	900	825	750	650	575	500	425	—
		W	79	88	96	105	114	122	131	140	148	—
JMET18D	5 High	CFM	2250	2225	2200	2175	2125	2100	2075	2050	2025	2000
		W	595	606	618	633	648	666	685	705	727	751
	4 Medium-high	CFM	2075	2050	2000	1975	1950	1900	1875	1850	1800	1775
		W	444	460	475	491	506	522	537	553	568	584
	3 Medium	CFM	1875	1850	1800	1775	1725	1700	1650	1625	1575	1525
		W	329	344	359	374	389	404	419	434	449	463
	2 Medium low	CFM	1450	1400	1325	1250	1200	1125	1050	1000	925	850
		W	153	166	179	192	206	219	232	245	258	271
	1 Low	CFM	1300	1225	1150	1075	1000	925	850	800	725	650
		W	120	131	143	154	166	178	189	201	212	224

### Notes:

- No electric heat installed
- Air handler units are tested to UL60335-2-40 standards up to 0.6 in. W.C. external static pressure.
- Dry coil conditions only; tested without filters
- For optimal performance, external static pressures of 0.2 in. W.C. to 0.5 in. W.C. are recommended. Heating applications are tested at 0.5 in. W.C. external static pressure.
- Airflow data shown is from testing performed at 230 V. JMET units use a standard ECM constant torque motor and there is minimal variation of airflow at other distribution voltage values. The above data can be used for airflow at other distribution voltages.